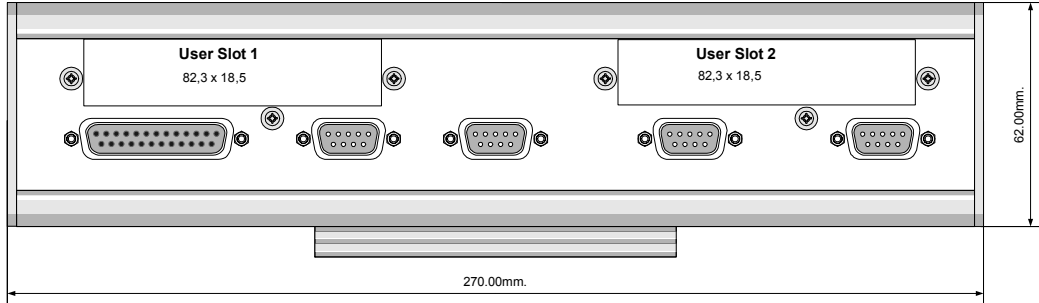
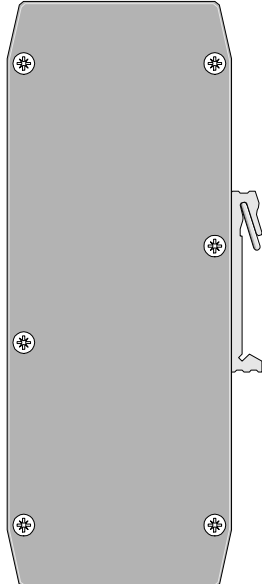


Standard PIP62 housing with DIN-rail

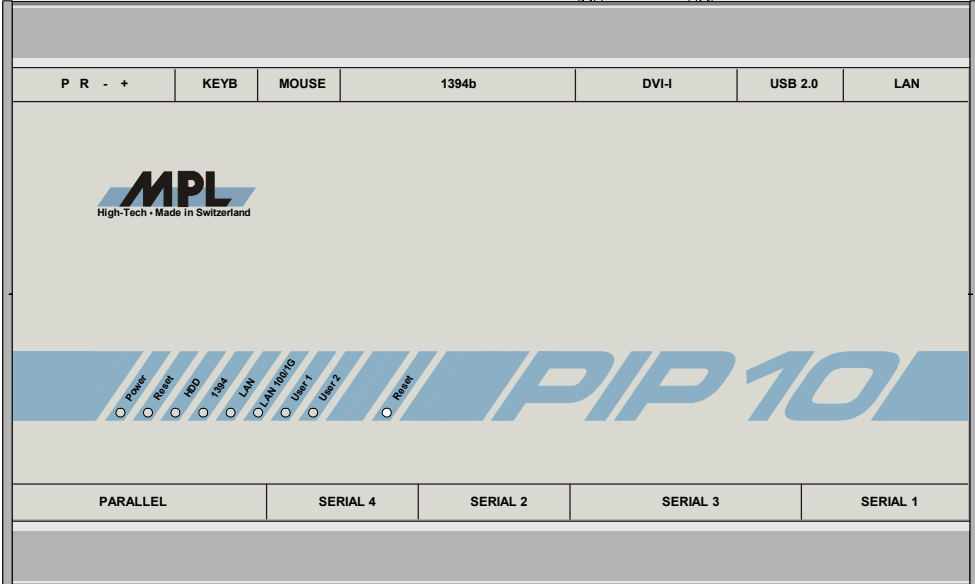
SIDE VIEW 1



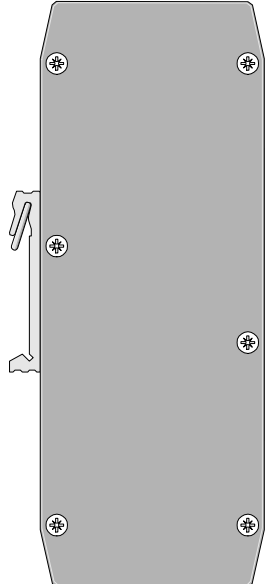
SIDE VIEW 3



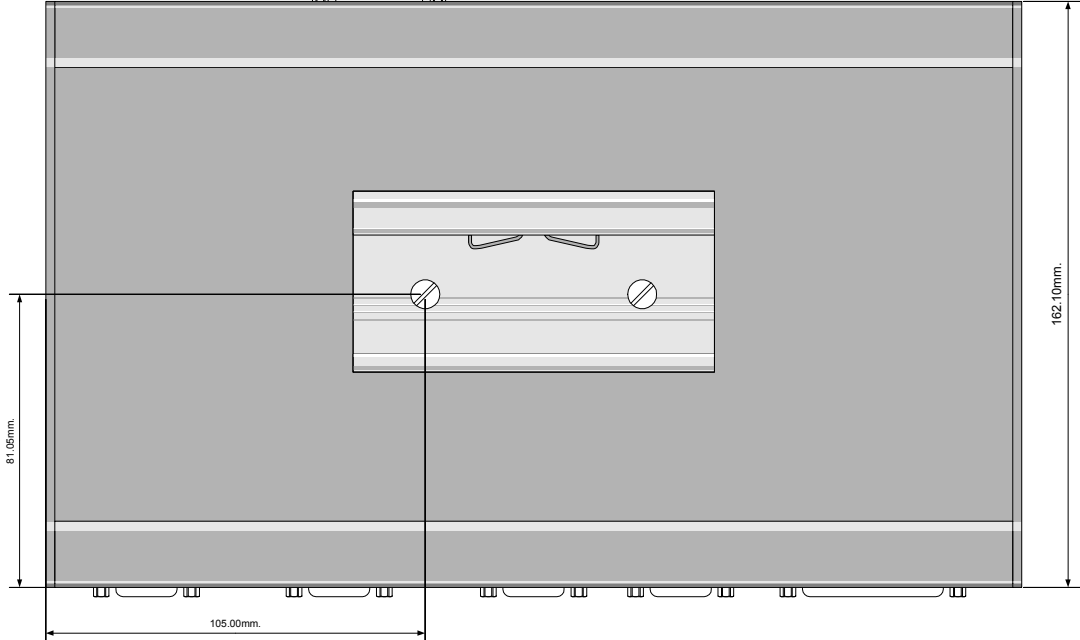
TOP VIEW



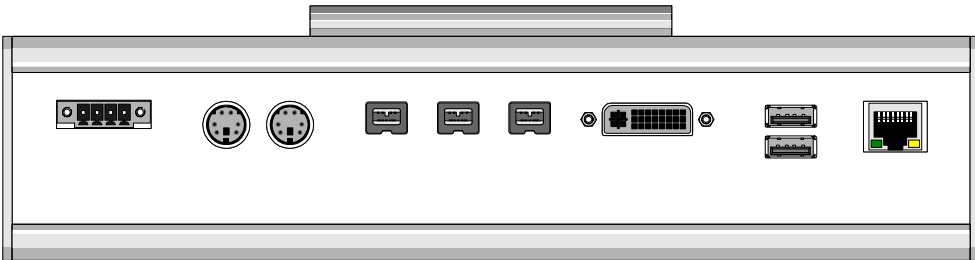
SIDE VIEW 4



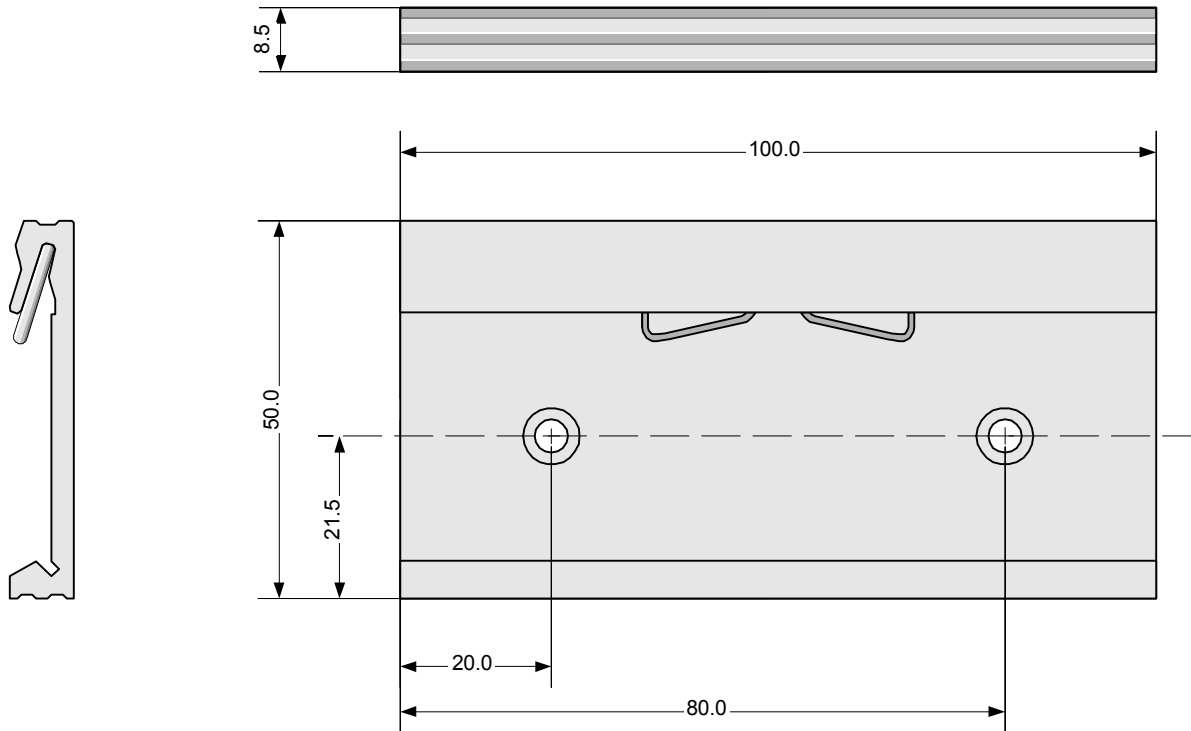
BOTTOM VIEW



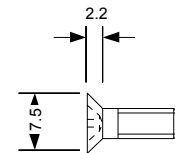
SIDE VIEW 2



DIN-rail



Borehole:
 Diameter 4,4mm, countersink,
 Counter bore for M4 bolt
 (DIN965A/BN0388)



For DIN rails with 35mm width

	Datum	Visum	Titel		Rev.
Erstellt			Din-rail		A
Geprüft			Basisprodukt	Nummer	Seite
Freigabe			PIPCASE	MPB-70200-0016	1/1